



## Solid Cable U/UTP Cat.6 EconLine

### Technical Features

Category 6

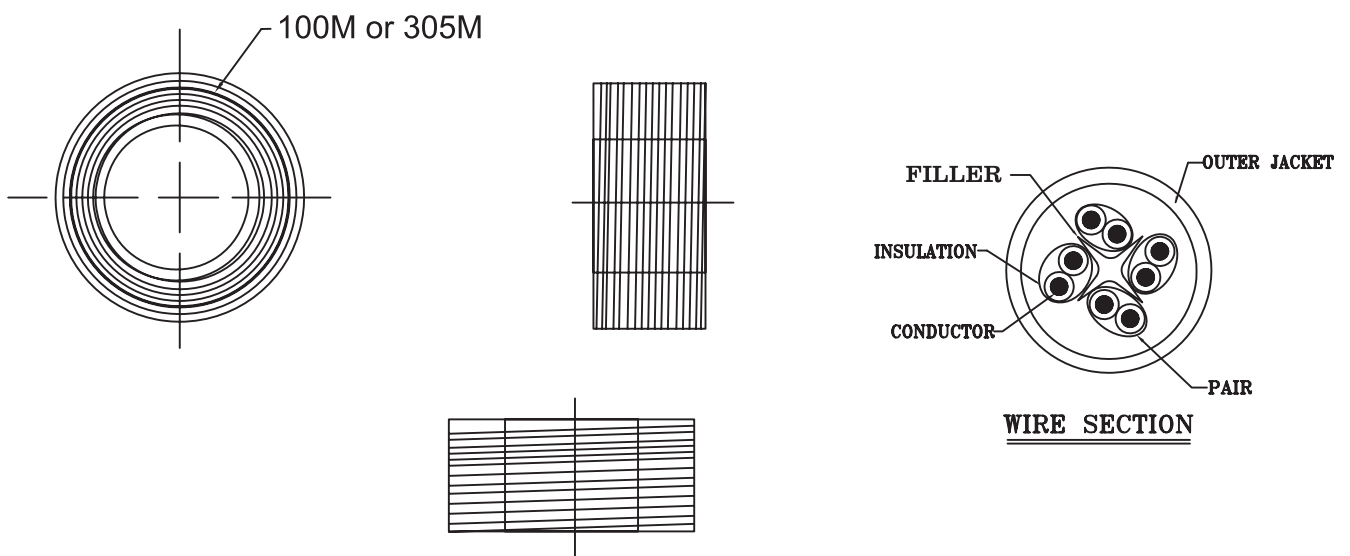
AWG 23 CCA

Unshielded

PVC Jacket

Grey

### Technical Drawings



Length	Part no.	EAN Code
100 m	CPV0033	4260113573655
305 m	CPV0034	4260113573662

## Package Contents

### Packaging Informations(CPV0033)

Packing Dimension	260 x 260 x 100mm
Packing Weight	2.8kg
Carton Dimension	540 x 280 x 320mm
Carton Q'ty	6pcs
Carton Weight	17.1kg

### Packaging Informations(CPV0034)

Packing Dimension	390 x 390 x 220mm
Packing Weight	8.3kg
Carton Dimension	475 x 400 x 400mm
Carton Q'ty	2pcs
Carton Weight	20kg

